

173645-3 ✓ ACTIVE

AMP | Multilock Connector System

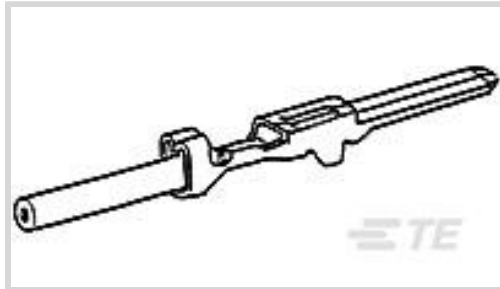
TE Internal #: 173645-3

Automotive Terminals, Tab, Mating Tab Width .071 in [1.8 mm], Tab Thickness .025 in [.64 mm], 20 – 16 AWG Wire Size, Multilock Connector System

[View on TE.com >](#)



Terminals & Splices > Automotive Terminals > MULTILOCK, RECEPTACLE AND TAB



Terminal Type: **Tab**

Mating Tab Width: **1.8 mm [.071 in]**

Mating Tab Thickness: **.64 mm [.025 in]**

Terminal Transmits: **0 – 24 A (Low Power)**

Wire Size: **20 – 16 AWG**

[All MULTILOCK, RECEPTACLE AND TAB \(142\)](#)

Features

Product Type Features

| | |
|-------------------------|------------|
| Sealable | No |
| Primary Locking Feature | Clean Body |

Contact Features

| | |
|---|------------------|
| Contact Size | 1.8mm |
| Contact Fabrication | Stamped & Formed |
| Typical Current Rating | 14 A |
| Crimp Type | F-Crimp |
| Terminal Type | Tab |
| Mating Tab Width | 1.8 mm[.071 in] |
| Mating Tab Thickness | .64 mm[.025 in] |
| Interface Plating | Gold (Au) |
| Contact Termination Area Plating Material | Gold (Au) |

Termination Features

| | |
|------------------------------------|-------|
| Termination Method to Wire & Cable | Crimp |
| Product Terminates To | Wire |

Dimensions

| | |
|-----------|---------------------------|
| Wire Size | .5 – 1.25 mm ² |
|-----------|---------------------------|



| | |
|------------------|--|
| Wire Size Search | 16 AWG, 17 AWG, 18 AWG, 19 AWG, 20 AWG |
|------------------|--|

| | |
|--------------------------|-----------------------------|
| Wire Insulation Diameter | 2 – 2.6 mm [.079 – .102 in] |
|--------------------------|-----------------------------|

Usage Conditions

| | |
|-------------------|-------------|
| Insulation Option | Uninsulated |
|-------------------|-------------|

| | |
|-----------------------------|---|
| Operating Temperature (Max) | 80 °C, 85 °C, 90 °C, 100 °C, 105 °C [176 °F] [185 °F][194 °F][212 °F][221 °F] |
|-----------------------------|---|

| | |
|-----------------------------|-----------------------------|
| Operating Temperature Range | -30 – 105 °C [-22 – 221 °F] |
|-----------------------------|-----------------------------|

Packaging Features

| | |
|------------------|------|
| Packaging Method | Reel |
|------------------|------|

| | |
|--------------------|------|
| Packaging Quantity | 3000 |
|--------------------|------|

Other

| | |
|--------------------|----------------------|
| Terminal Transmits | 0 – 24 A (Low Power) |
|--------------------|----------------------|

Product Compliance

[For compliance documentation, visit the product page on TE.com>](#)

| | |
|------------------------------|-----------|
| EU RoHS Directive 2011/65/EU | Compliant |
|------------------------------|-----------|

| | |
|-----------------------------|-----------|
| EU ELV Directive 2000/53/EC | Compliant |
|-----------------------------|-----------|

| | |
|---|---|
| China RoHS 2 Directive MIIT Order No 32, 2016 | No Restricted Materials Above Threshold |
|---|---|

| | |
|--|---|
| EU REACH Regulation (EC) No. 1907/2006 | Current ECHA Candidate List: JUNE 2022 (224) Candidate List Declared Against: JUNE 2022 (224) Does not contain REACH SVHC |
|--|---|

| | |
|-----------------|---|
| Halogen Content | Low Halogen - Br, Cl, F, I < 900 ppm per homogenous material. Also BFR/CFR/PVC Free |
|-----------------|---|

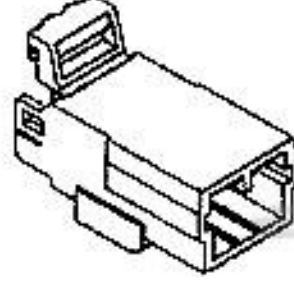
| | |
|---------------------------|--|
| Solder Process Capability | Not applicable for solder process capability |
|---------------------------|--|

Product Compliance Disclaimer

This information is provided based on reasonable inquiry of our suppliers and represents our current actual knowledge based on the information they provided. This information is subject to change. The part numbers that TE has identified as EU RoHS compliant have a maximum concentration of 0.1% by weight in homogenous materials for lead, hexavalent chromium, mercury, PBB, PBDE, DBP, BBP, DEHP, DIBP, and 0.01% for cadmium, or qualify for an exemption to these limits as defined in the Annexes of Directive 2011/65/EU (RoHS2). Finished electrical and electronic equipment products will be CE marked as required by Directive 2011/65/EU. Components may not be CE marked. Additionally, the part numbers that TE has identified as EU ELV compliant have a maximum concentration of 0.1% by weight in homogenous materials for lead, hexavalent chromium, and mercury, and 0.01% for cadmium, or qualify for an exemption to these limits as defined in the Annexes of Directive 2000/53/EC (ELV). Regarding the REACH Regulation, the information TE provides

on SVHC in articles for this part number is based on the latest European Chemicals Agency (ECHA) 'Guidance on requirements for substances in articles' posted at this URL: <https://echa.europa.eu/guidance-documents/guidance-on-reach>

Compatible Parts



TE Part # 174930-1
070 MLC W-W CAP HSG 6P SGL



TE Part # 2305570-1
Strip Terminal Cutter-Side Feed-No Crimp



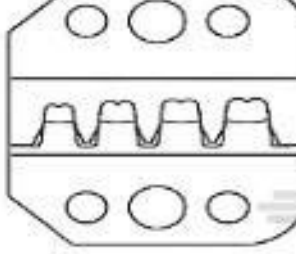
TE Part # CAT-M9194-CH8172
MULTILOCK, CONNECTOR HOUSING



TE Part # 91573-1
CCII 070 SERIES REC TAB 20-16 ASSY



TE Part # 755430-2
EXT, TOOL ASSY



TE Part # 58521-2
PRO-CRIMPER DIE



TE Part # 2-2266309-1
OCEAN_2.0_APPLICATOR-S-090F096F



TE Part # 2-2266309-2
OCEAN_2.0_APPLICATOR-S-090F096FA



TE Part # 2266309-1
OCEAN_2.0_APPLICATOR-S-090F096F



TE Part # 2266309-2
OCEAN_2.0_APPLICATOR-S-090F096FA



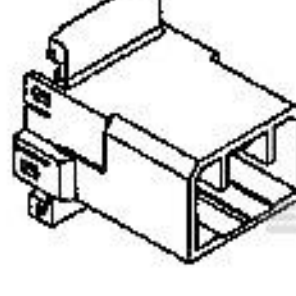
TE Part # 7-2266309-1
OCEAN_2.0_APPLICATOR-S-090F096F



TE Part # 7-2266309-2
OCEAN_2.0_APPLICATOR-S-090F096FA



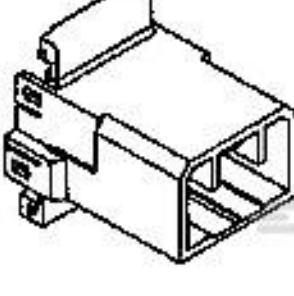
KIT
TE Part # 7-2266309-7
OCEAN_2.0_SPARE_PART_KIT-090F096F



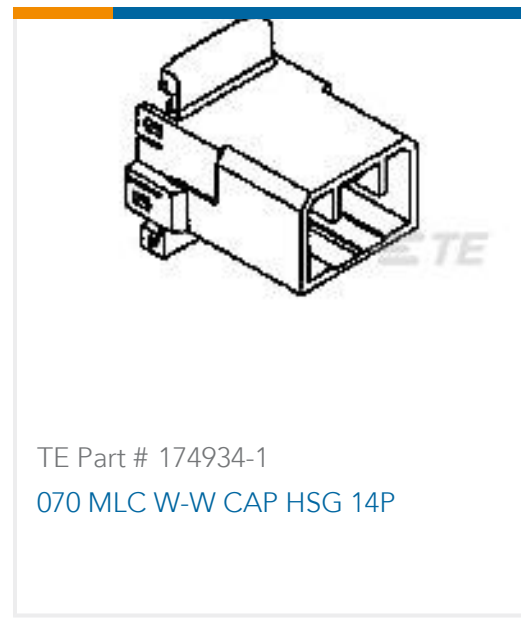
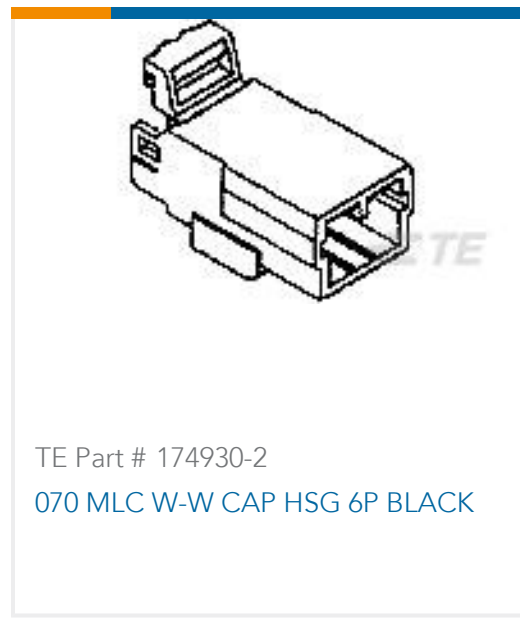
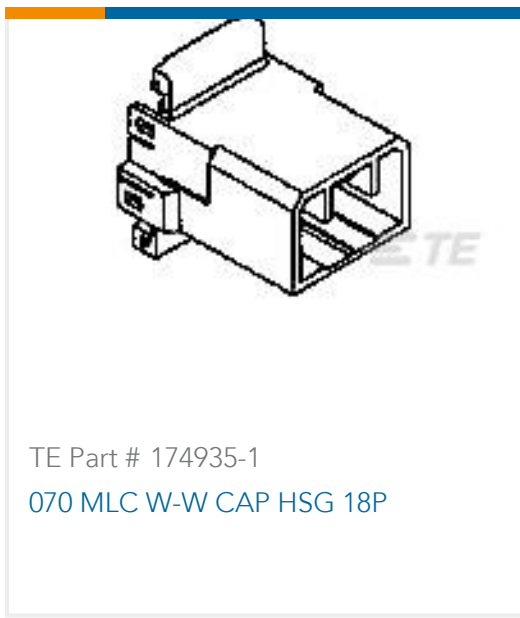
TE Part # 174936-1
070 MLC W-W CAP HSG 20P



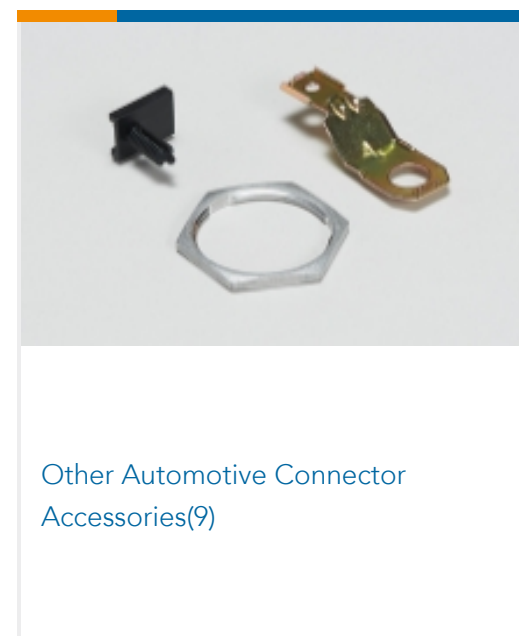
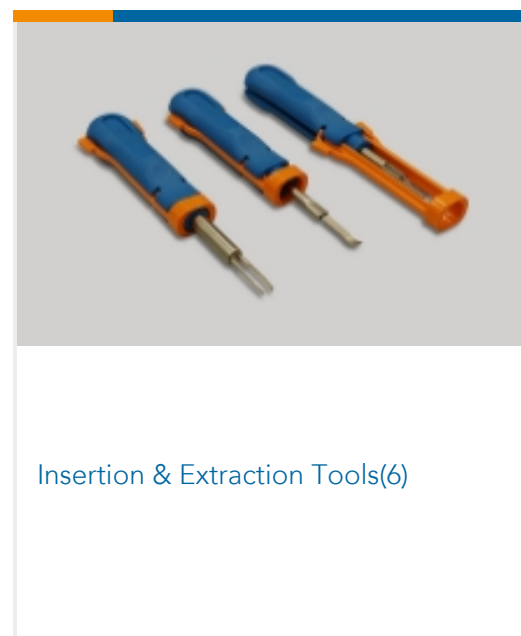
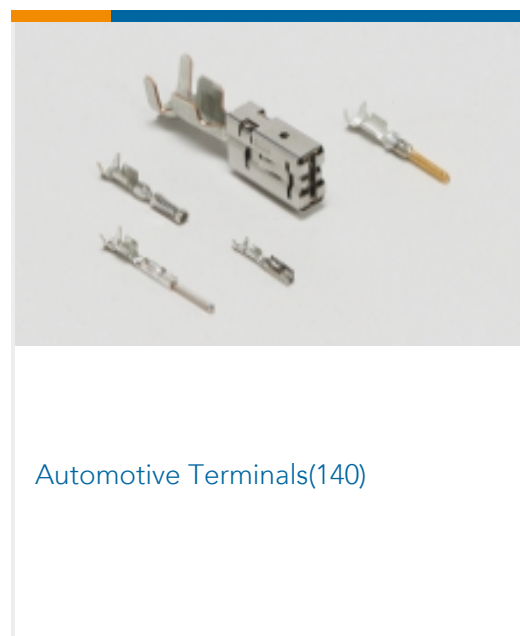
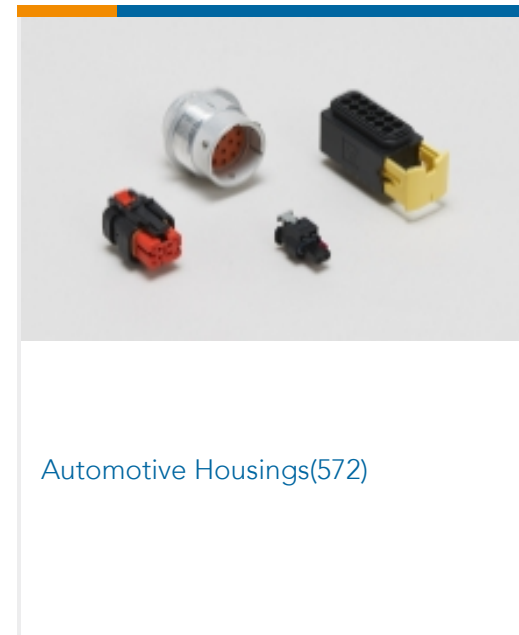
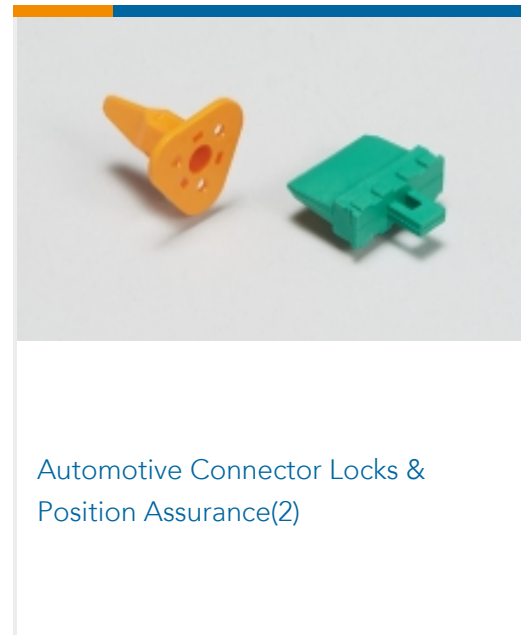
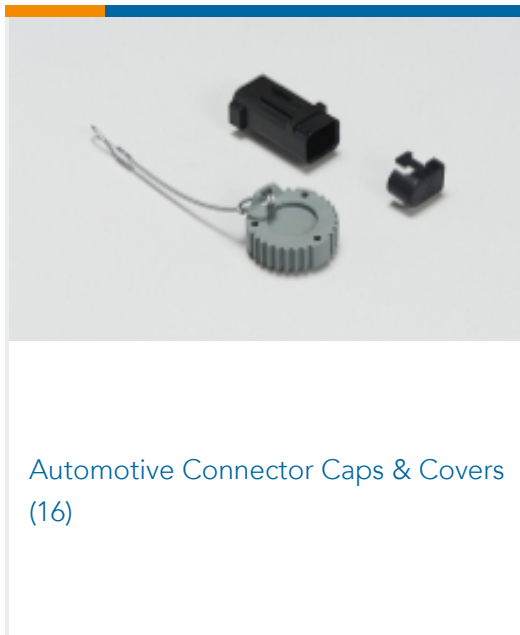
TE Part # 174928-1
070 MLC W-W CAP HSG 3P NATURAL



TE Part # 174933-1
070 MLC W-W CAP HSG 12P



Also in the Series | Multilock Connector System



Documents

Product Drawings

070 MLC TAB CONT 20-16 GOLD

Japanese

CAD Files

3D PDF

3D

Customer View Model



[ENG_CVM_CVM_173645-3_L.2d_dxf.zip](#)

English

Customer View Model

[ENG_CVM_CVM_173645-3_L.3d_igs.zip](#)

English

Customer View Model

[ENG_CVM_CVM_173645-3_L.3d_stp.zip](#)

English

Customer View Model

[ENG_CVM_173645-3_E1.3d_igs.zip](#)

English

Customer View Model

[ENG_CVM_173645-3_E1.3d_stp.zip](#)

English

Customer View Model

[ENG_CVM_173645-3_E1.2d_dxf.zip](#)

English

3D PDF

English

By downloading the CAD file I accept and agree to the [Terms and Conditions](#) of use.

Datasheets & Catalog Pages

[MULTILOCK Connector System](#)

English

Product Specifications

[Application Specification](#)

English

Instruction Sheets

[Instruction Sheet \(non U.S.\)](#)

English

[AMP Extraction Tool P/N 755430-2 for Extraction 070 Series Cont.](#)

English